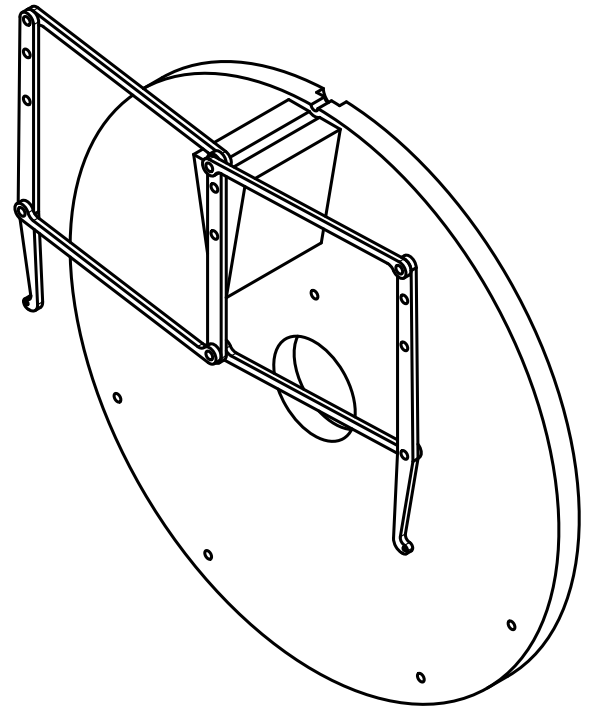
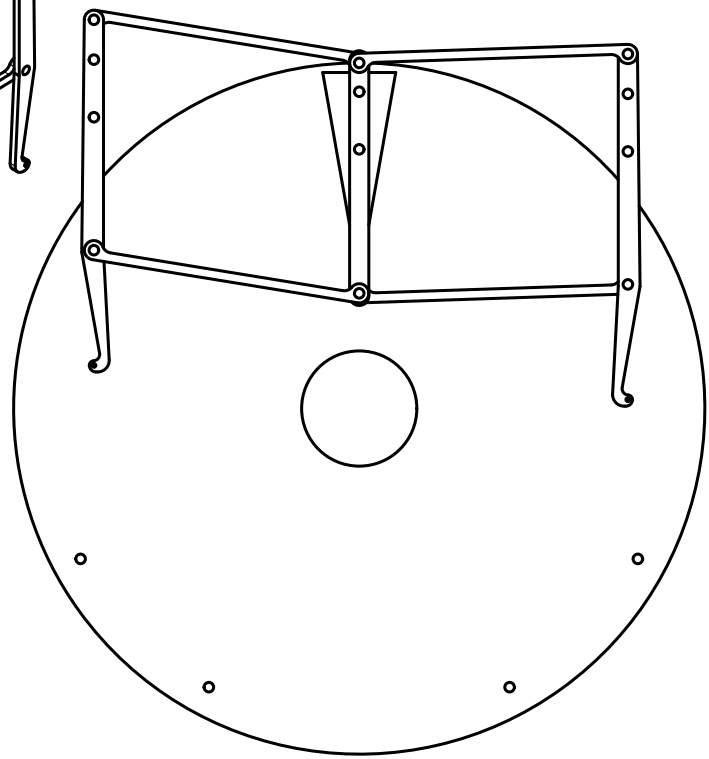
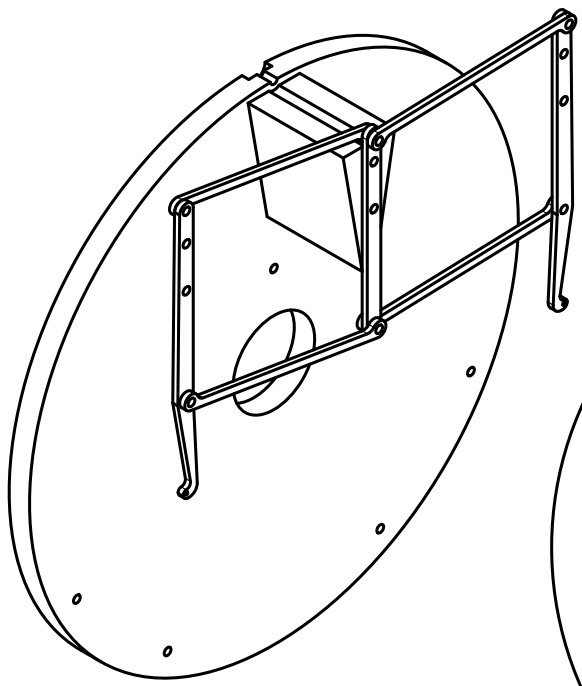


2

1

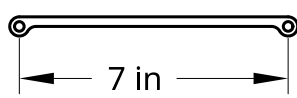
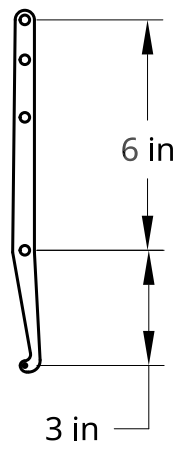
B

B



A

A



UNLESS OTHERWISE SPECIFIED, DIMENSIONS ARE IN MILLIMETERS

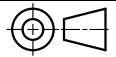
ANGULAR = ± °

SURFACE FINISH

DO NOT SCALE DRAWING

BREAK ALL SHARP EDGES AND REMOVE BURRS

THIRD ANGLE PROJECTION



	NAME	DATE
DRAWN	David Lang	08/28/2017
CHECKED		
APPROVED		

TITLE		

SIZE	DWG NO.	REV.
A	----	-

SCALE	WEIGHT	SHEET
0.2:1		1 of 1

2

1